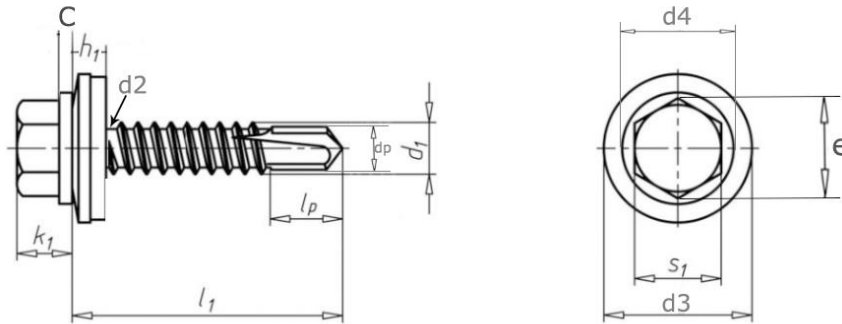


天津鑫锐丰科技有限公司 TIANJIN XINRUIFENG TECHNOLOGY CO., LTD

NAME: HEX SELF DRILLING SCREW WITH EPDM WAHSER
 HEAD & WASHER COLOR: NCS-S2005-G70Y
 MATERIAL: SAE1002

SIZE: 5.5*60MM
 FINISHED: RUSPERT, 1000 HRS
 P/N: 47210-5.5-60



LENGTH (L1)	59.75-60.55MM	HEAD SIZE (S1)	7.78-8MM
MAJOR DIAMETER (d1)	5.28-5.46MM	CROSS FLATS(e)	8.71MM
MINOR DIAMETER (d2)	3.99-4.17MM	HEAD THICKNESS(k1)	4.8-5.3MM
PITCH	1.81MM	FLANGE THICKNESS (c)	1.0MM
POINT LENTH (lp)	PT #3, 8.0MM	FLANGE DIAMETER(d4)	10.3-10.5MM
POINT DEAMETER(dp)	4.5-4.8MM	WASHER DIAMETER (d3)	GRAY WASHER 19MM
TORQUE STRENGTH	11.86 N*m	WASHER THICKNESS (h1)	METAL 0.8MM + RUBBER 3MM
SURFACE HARDNESS	600-700 HV	CORE HARDNESS	340-400 HV

天津鑫锐丰科技有限公司 TIANJIN XINRUIFENG TECHNOLOGY CO., LTD

INSPECTION CERTIFICATION

NAME: HEX SELF DRILLING SCREW WITH EPDM WAHSER
 SIZE: 5.5*60MM
 HEAD & WASHER COLOR: NCS-S2005-G70Y
 FINISHED: RUSPERT, 1000 HRS
 MATERIAL: SAE1002
 P/N: 47210-5.5-60
 DATE: 2019-9-18



ITEM	STANDARD	#1	#2	#3	#4	#5	RESULT
LENGTH (L1)	59.75-60.55MM	60.20	60.25	60.25	60.22	60.23	ACCEPTED
MAJOR DIAMETER (d1)	5.28-5.46MM	5.45	5.45	5.46	5.46	5.46	ACCEPTED
MINOR DIAMETER (d2)	3.99-4.17MM	4.12	4.15	4.13	4.12	4.12	ACCEPTED
PITCH	1.81MM	1.81	1.81	1.81	1.81	1.81	ACCEPTED
POINT LENTH (lp)	PT #3, 8.0MM	8.2	8.2	8.1	8.1	8.0	ACCEPTED
POINT DEAMETER(dp)	4.5-4.8MM	4.6	4.7	4.7	4.7	4.7	ACCEPTED
HEAD SIZE (S1)	7.78-8MM	7.82	7.82	7.82	7.82	7.82	ACCEPTED
CROSS FLATS(e)	8.71MM	8.71	8.71	8.71	8.71	8.71	ACCEPTED
HEAD THICKNESS(k1)	4.8-5.3MM	4.85	4.85	4.86	4.86	4.85	ACCEPTED
FLANGE THICKNESS (c)	1.0MM	1.12	1.12	1.12	1.12	1.12	ACCEPTED
FLANGE DIAMETER(d4)	10.3-10.5MM	10.4	10.4	10.4	10.4	10.4	ACCEPTED
WASHER DIAMETER (d3)	GRAY WASHER 19MM	19	19	19	19	19	ACCEPTED
WASHER THICKNESS (h1)	METAL 0.8MM + RUBBER 3MM	√	√	√	√	√	ACCEPTED
CORE HARDNESS	340-400 HV	380	385	385	380	380	ACCEPTED
SURFACE HARDNESS	600-700 HV	670	680	685	660	660	ACCEPTED
TORQUE STRENGTH	11.86 N*m	13.4	13.7	13.9	13.3	13.0	ACCEPTED