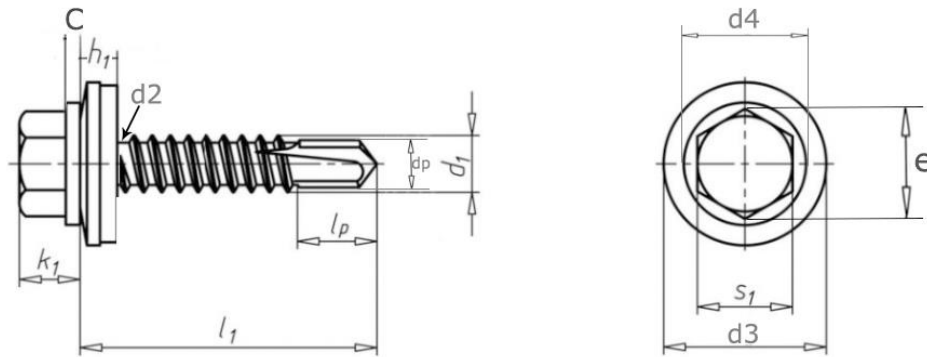


天津鑫锐丰科技有限公司 TIANJIN XINRUIFENG TECHNOLOGY CO., LTD

NAME: HEX SELF DRILLING SCREW WITH EPDM WASHER
 HEAD & WASHER COLOR: N/A
 MATERIAL: SAE1002

SIZE: 4.8*19MM
 FINISHED: RUSPERT, 1000 HRS
 P/N: 47210-4.8-19



LENGTH (L1)	18-20MM	HEAD SIZE (S1)	7.78-8MM
MAJOR DIAMETER (d1)	4.62-4.8MM	CROSS FLATS(e)	8.71MM
MINOR DIAMETER (d2)	3.43-3.58MM	HEAD THICKNESS(k1)	3.9-4.1MM
PITCH	1.81MM	FLANGE THICKNESS (c)	0.9MM
POINT LENTH (lp)	PT #2, 5.7-6.7 MM	FLANGE DIAMETER(d4)	10.3-10.5MM
POINT DEAMETER(dp)	3.9-4.1MM	WASHER	GRAY WASHER 16MM
TORQUE STRENGTH	6.9 N*m	WASHER THICKNESS (h1)	METAL 0.8MM + RUBBER 3MM
SURFACE HARDNESS	600-700 HV	CORE HARDNESS	340-400 HV

天津鑫锐丰科技有限公司 TIANJIN XINRUIFENG TECHNOLOGY CO., LTD

INSPECTION CERTIFICATION

NAME: HEX SELF DRILLING SCREW WITH EPDM WASHER
 SIZE: 4.8*19MM
 HEAD & WASHER COLOR: N/A
 FINISHED: RUSPERT, 1000 HRS
 MATERIAL: SAE1002
 P/N: 47210-4.8-19
 DATE: 2019-9-18



ITEM	STANDARD	#1	#2	#3	#4	#5	RESULT
LENGTH (L1)	18-20MM	19.2	19.3	19.2	19.2	19.2	ACCEPTED
MAJOR DIAMETER (d1)	4.62-4.8MM	4.75	4.74	4.76	4.75	4.75	ACCEPTED
MINOR DIAMETER (d2)	3.43-3.58MM	3.52	3.52	3.53	3.53	3.53	ACCEPTED
PITCH	1.81MM	1.81	1.81	1.81	1.81	1.81	ACCEPTED
POINT LENTH (lp)	PT #2, 5.7-6.7 MM	6.5	6.6	6.5	6.5	6.5	ACCEPTED
POINT DEAMETER(dp)	3.9-4.1MM	4.0	4.1	4.1	4.1	4.1	ACCEPTED
HEAD SIZE (S1)	7.78-8MM	7.95	7.98	7.92	7.95	7.93	ACCEPTED
CROSS FLATS(e)	8.71MM	8.71	8.70	8.71	8.70	8.71	ACCEPTED
HEAD THICKNESS(k1)	3.9-4.1MM	4.1	4.1	4.1	4.1	4.1	ACCEPTED
FLANGE THICKNESS (c)	0.9MM	0.9	0.9	0.9	0.9	0.9	ACCEPTED
FLANGE DIAMETER(d4)	10.3-10.5MM	10.4	10.4	10.4	10.4	10.4	ACCEPTED
WASHER DIAMETER (d3)	GRAY WASHER 16MM	16	16	16	16	16	ACCEPTED
WASHER THICKNESS (h1)	METAL 0.8MM + RUBBER 3MM	√	√	√	√	√	ACCEPTED
CORE HARDNESS	340-400 HV	390	390	380	380	380	ACCEPTED
SURFACE HARDNESS	600-700 HV	670	690	690	680	680	ACCEPTED
TORQUE STRENGTH	6.9 N*m	7.8	8.2	8.5	8.4	8.2	ACCEPTED